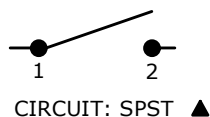
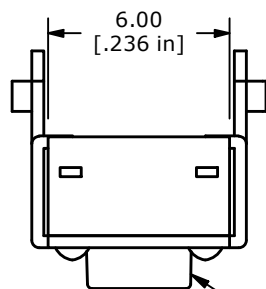


PC MOUNTING

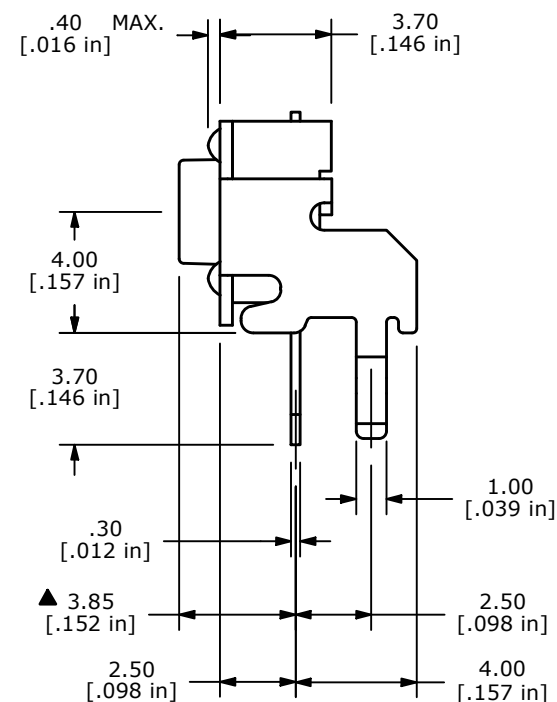
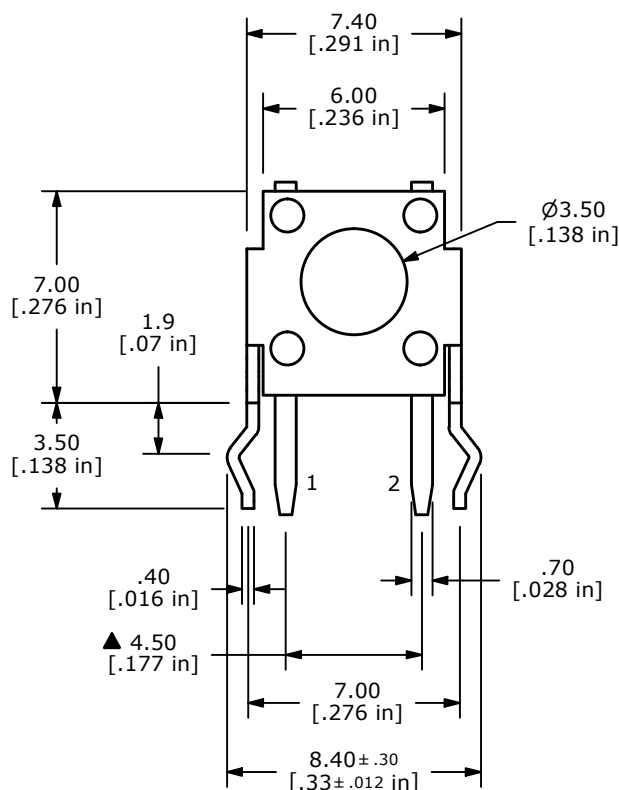
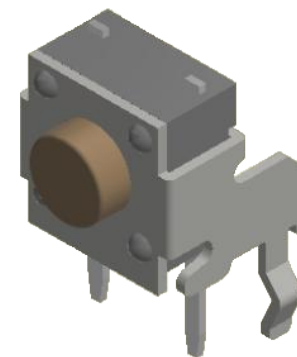


NOTES:

1. ALL DIMENSIONS IN MM
2. GENERAL TOLERANCE: X.X = ±0.4  
X.XX = ±0.25
3. TERM. NOS. FOR REFERENCE ONLY.
- ▲ 4. CONTACT MATERIAL: SILVER
5. RATING: 12VDC, 50mA
- ▲ 6. OPERATING FORCE: 100 ± 50 gf
7. TRAVEL: 0.25 +0.2/-0.1 mm
8. CONTACT RESISTANCE: 100 MILLI OHMS MAX. (INITIAL)
9. MECHANICAL/ELECTRICAL LIFE 500,000 CYCLES MIN.
10. ▲ DENOTES CRITICAL PARAMETER
12. PACKAGING: 1,000 PIECES PER REEL
13. OPERATING TEMP: -40°C TO 85°C



▲ ACTUATOR  
COLOR: BROWN



F	24551	REMOVE STEP IN HOUSING, CHANGE TEMP	10/29/20	JM
E	22684	CORRECT ACTUATOR COLOR TO BROWN	1/20/17	MW
D	22178	UPDATE PRINT TO NEW FORMAT	3/3/16	MW
REV	PCR NO	DESCRIPTION	DATE	BY



TITLE TL1105VF100Q				
SCALE	DATE	DR	DWG	REV
4:1	10/9/2009	MM	P020304	F

THE INFORMATION CONTAINED IN THIS DOCUMENT IS PROPRIETARY TO E-SWITCH AND IS NOT TO BE COPIED OR TRANSFERRED